

Line

design by Terence Woodgate



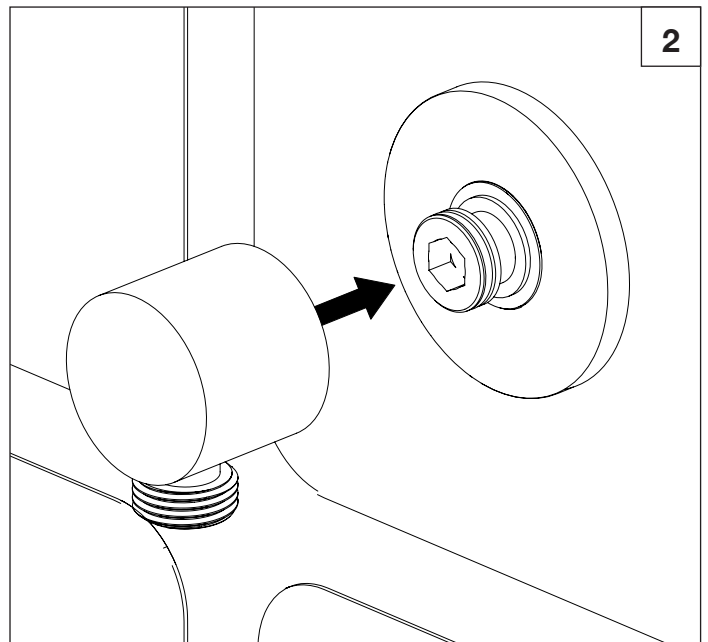
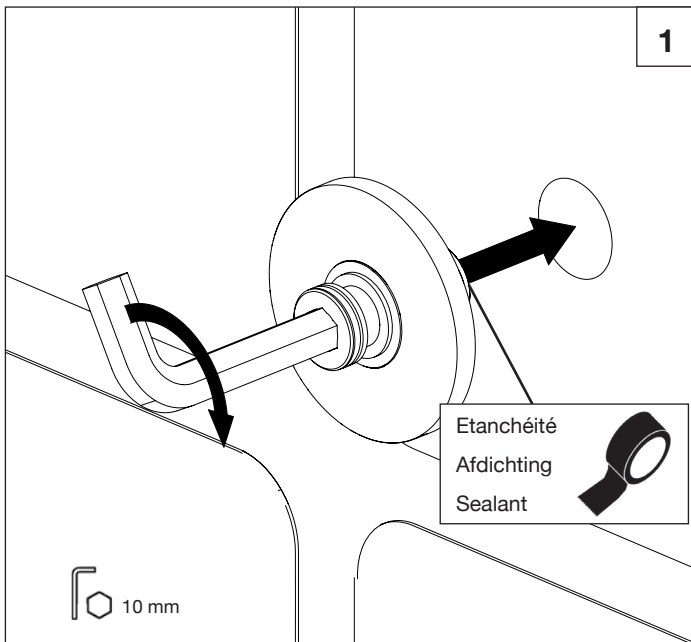
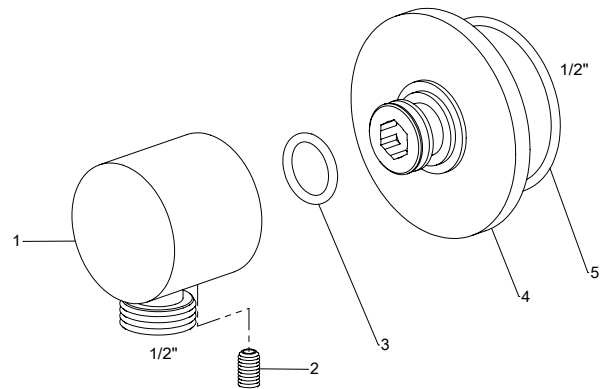
Innovation since 1935

8035.--.15

Coude de sortie 1/2" x 1/2"

Haakse uitlaat 1/2" x 1/2"

Elbow outlet 1/2" x 1/2"



RA0.V01

